



CFL2 Series Architectural
LED Outdoor Lighting

Cat.#

Project:

Fixture Code:

Approvals:

PRODUCT IMAGE(S)



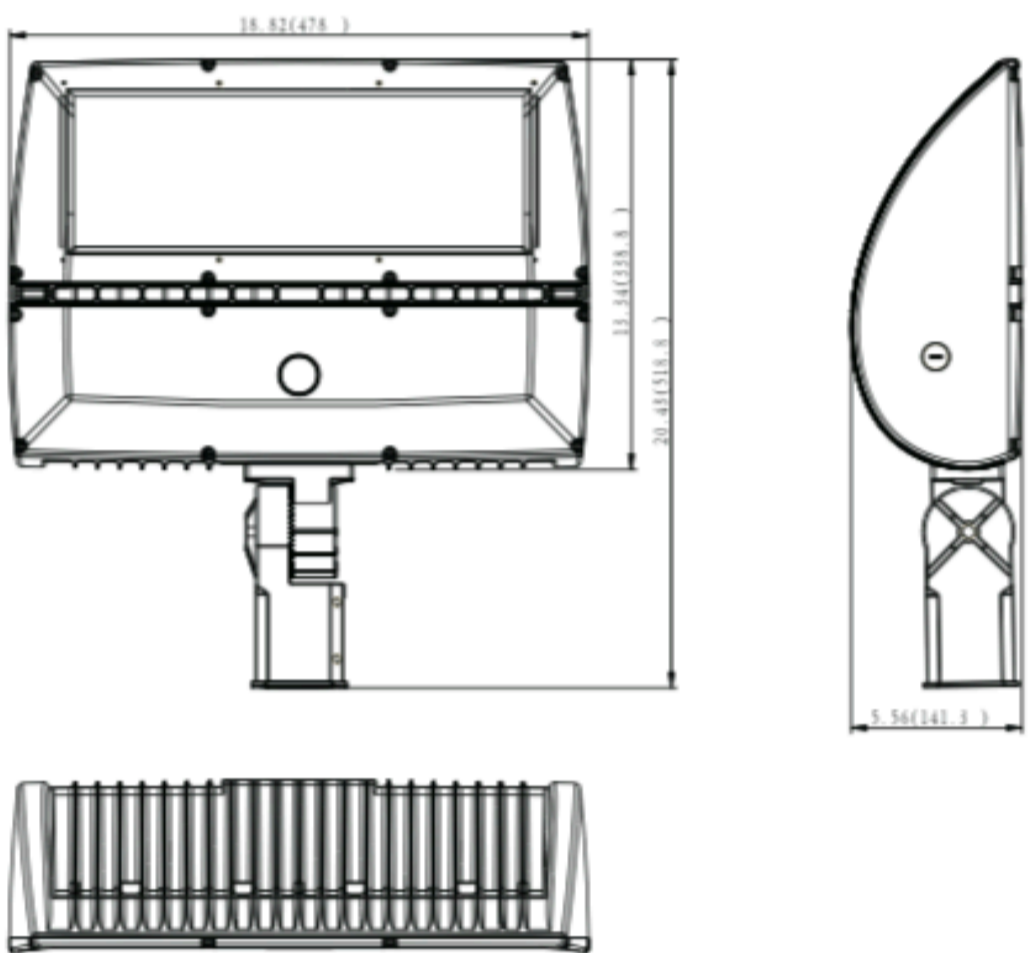
SPECIFICATIONS

01. Corrosion resistant, rugged die-cast aluminum housing with powder coat paint finish.
02. High impact UV stabilized PC injection lens provide a variety of NEMA distribution.
03. Compact frame to fix lens with water proof rubber inside to ensure IP65 grade.
04. Stainless screws ensure anti-rust.
05. Design concept came from a "bird" stand on the tree with patent design and perfect detail.
06. Compact design housing isolates LED module from driver which ensure heat sink.
07. Installation of different brackets are "field replaceable", only remove 4 screws can change the installed bracket, good for stock flow systems, easy to manage.
08. Easy replacement for different kind of NEMA distributions, only remove 10 screws of frame cover, then replace the installed UV PC injection lens with new one.
09. IP67 driver and ROHS compliant, ambient operating temperature -40°C to 40°C.
10. ETL and Premium DLC listed.

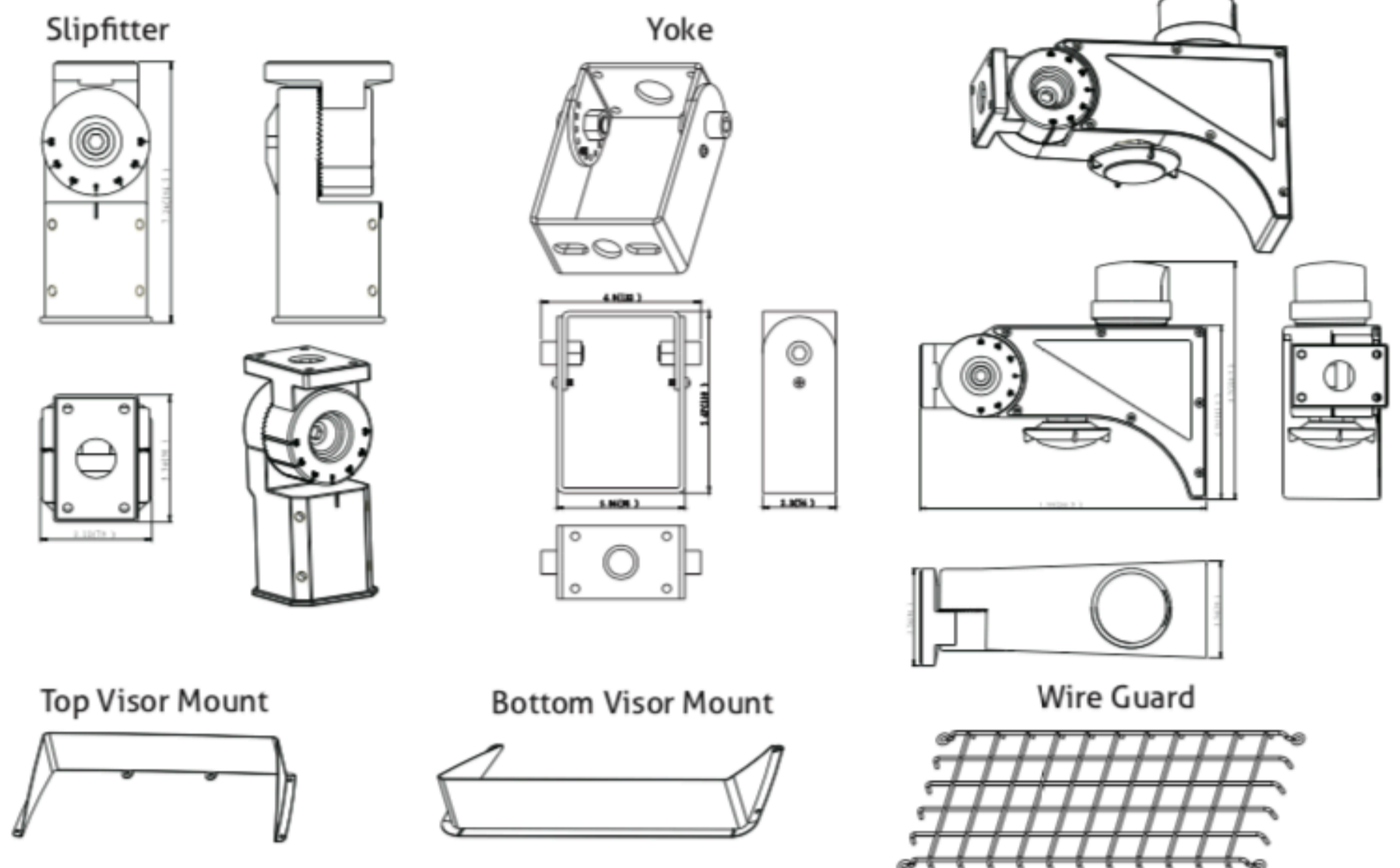
APPLICATIONS

Compact LED flood with a variety of NEMA distribution for lighting applications such as building façades, signighting and wall washing in both commercial and industrial applications.

DIMENSIONS



OPTIONAL



ORDERING INFORMATION - STOCK VERSION

Product Code	Mount	Watt	NEMA Tpye	BEAM Pattern	Voltage	CCT	Lumen @4000K	LPW	Weight	Packing Size	Finish
CFL2XL (XLarge Size)	Slip Fitter	200W	7H6V	Wide	120-277V	5000K	25708	128.54	11.6 Kg	Master carton(1pcs) 555*523*191	Bronze (RAL8019)
		240W	7H6V	Wide			30316.8	126.32	12.3 Kg		
		300W	7H6V	Wide			37578	125.26	12.9 Kg		

ORDERING INFORMATION - MADE TO ORDER

Product Series	Watt	CCT	Voltage	Mount	Distribution	Control Option	Finish
CFL2XL	200 = 200W(5300mA)	40K = 4000K	UL = 120-277V	SP = Slipfitter	7 = 7H6V	B = Button Photocell	BZ = Brozen
CFL2 Family	240 = 240W(6200mA)	50K = 5000K	UH = 377-480V	YK = Yoke	5 = 5H5V	D = 1-10V Dimming	WH = White
XLarge Size	300 = 300W(2500mA)			AS = Adjustable Straight Arm	3 = 3H3V	S1 = SPD 10KV T = Twist Photocell	NA = natural Aluminum BK = Black
				WM = Wall Mount kits		S2 = SPD 20KV	CC = Custom Color

NEMA Distribution

