



CFL2 Series Architectural  
LED Outdoor Lighting

Cat.#

Project:

Fixture Code:

Approvals:

**PRODUCT IMAGE(S)**



**SPECIFICATIONS**

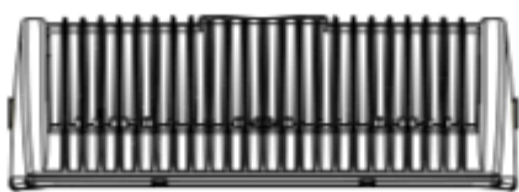
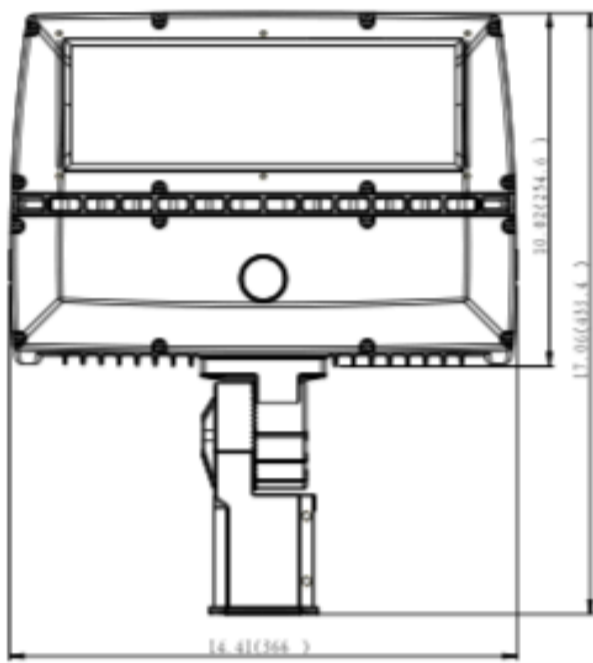
01. Corrosion resistant, rugged die-cast aluminum housing with powder coat paint finish.
02. High impact UV stabilized PC injection lens provide a variety of NEMA distribution.
03. Compact frame to fix lens with water proof rubber inside to ensure IP65 grade.
04. Stainless screws ensure anti-rust.
05. Design concept came from a "bird" stand on the tree with patent design and perfect detail.
06. Compact design housing isolates LED module from driver which ensure heat sink.
07. Installation of different brackets are "field replaceable", only remove 4 screws can change the installed bracket, good for stock flow systems, easy to manage.
08. Easy replacement for different kind of NEMA distributions, only remove 10 screws of frame cover, then replace the installed UV PC injection lens with new one.
09. IP67 driver and ROHS compliant, ambient operating temperature -40°C to 40°C.
10. ETL and Premium DLC listed.

**APPLICATIONS**

Compact LED flood with a variety of NEMA distribution for lighting applications such as building façades, signighting and wall washing in both commercial and industrial applications.

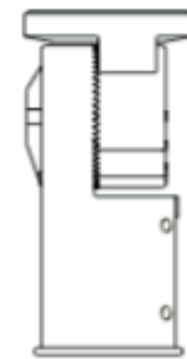
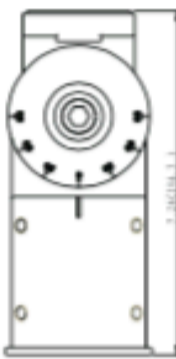
**DIMENSIONS**

(inch/mm)

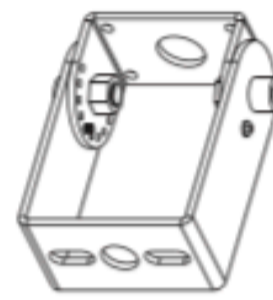


**OPTIONAL**

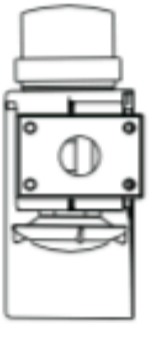
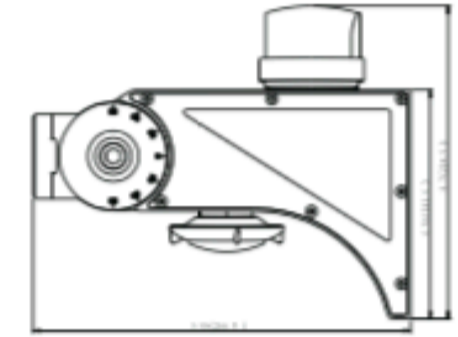
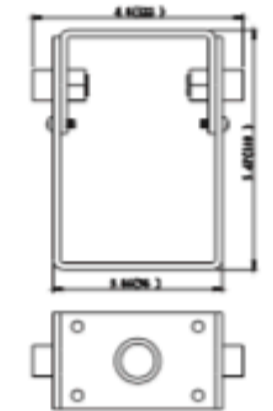
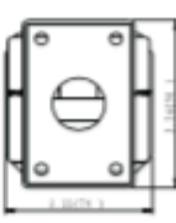
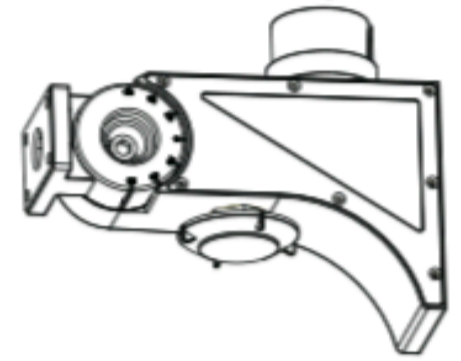
Slipfitter



Yoke



Adjustable Straight Arm



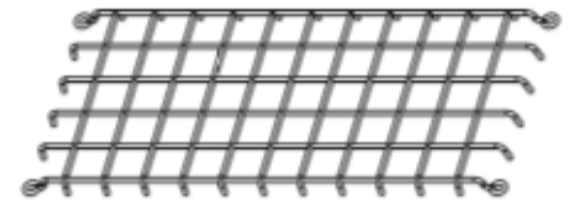
Top Visor Mount



Bottom Visor Mount



Wire Guard



**ORDERING INFORMATION - STOCK VERSION**

Product Code	Mount	Watt	NEMA Tpye	BEAM Pattern	Voltage	CCT	Lumen @4000K	LPW	Weight	Packing Size	Finish
CFL2L (Large Size)	Slip Fitter	80W	7H6V	Wide	120-277V	4000K 5000K	10421	126.30	7.6 Kg	Master carton(1pcs) 465*409*171	Bronze (RAL8019)
		100W	7H6V	Wide			12597	124.90	7.9 Kg		
		120W	7H6V	Wide			13760	121.30	8.5 Kg		
		150W	7H6V	Wide			19545	133.70	8.8 Kg		

**ORDERING INFORMATION - MADE TO ORDER**

Product Series	Watt	CCT	Voltage	Mount	Distribution	Control Option	Finish
CFL2L	080 = 80W(2000mA)	40K = 4000K	UL = 120-277V	SP = Slipfitter	7 = 7H6V	B = Button Photocell	BZ = Bronze
CFL2 Family Large Size	100 = 100W(2600mA)	50K = 5000K	UH = 347-480V	YK = Yoke	5 = 5H5V	D = 1-10V Dimming	WH = White
	120 = 120W(3100mA)			AS = Adjustable Straight Arm	3 = 3H3V	S1 = SPD 10KV	NA = natural Aluminum
	150 = 150W(3900mA)			WM = Wall Mount kits		T = Twist Photocell	BK = Black
						S2 = SPD 20KV	CC = Custom Color

**NEMA Distribution**

