



CFL2 Series Architectural LED Outdoor Lighting

Cat.#

Project:

Fixture Code:

Approvals:

PRODUCT IMAGE(S)



SPECIFICATIONS

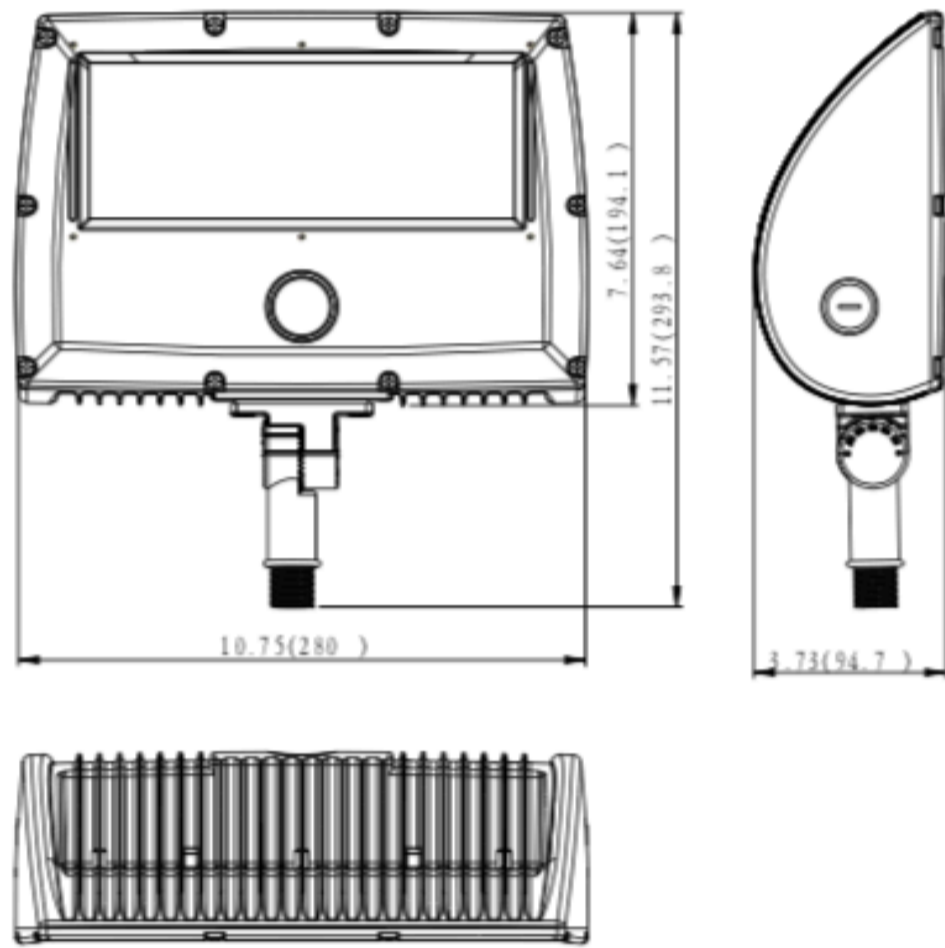
01. Corrosion resistant, rugged die-cast aluminum housing with powder coat paint finish.
02. High impact UV stabilized PC injection lens provide a variety of NEMA distribution.
03. Compact frame to fix lens with water proof rubber inside to ensure IP65 grade.
04. Stainless screws ensure anti-rust.
05. Design concept came from a "bird" stand on the tree with patent design and perfect detail.
06. Compact design housing isolates LED module from driver which ensure heat sink.
07. Installation of different brackets are "field replaceable", only remove 4 screws can change the installed bracket, good for stock flow systems, easy to manage.
08. Easy replacement for different kind of NEMA distributions, only remove 10 screws of frame cover, then replace the installed UV PC injection lens with new one.
09. IP67 driver and ROHS compliant, ambient operating temperature -40°C to 40°C.
10. ETL and Premium DLC listed.

APPLICATIONS

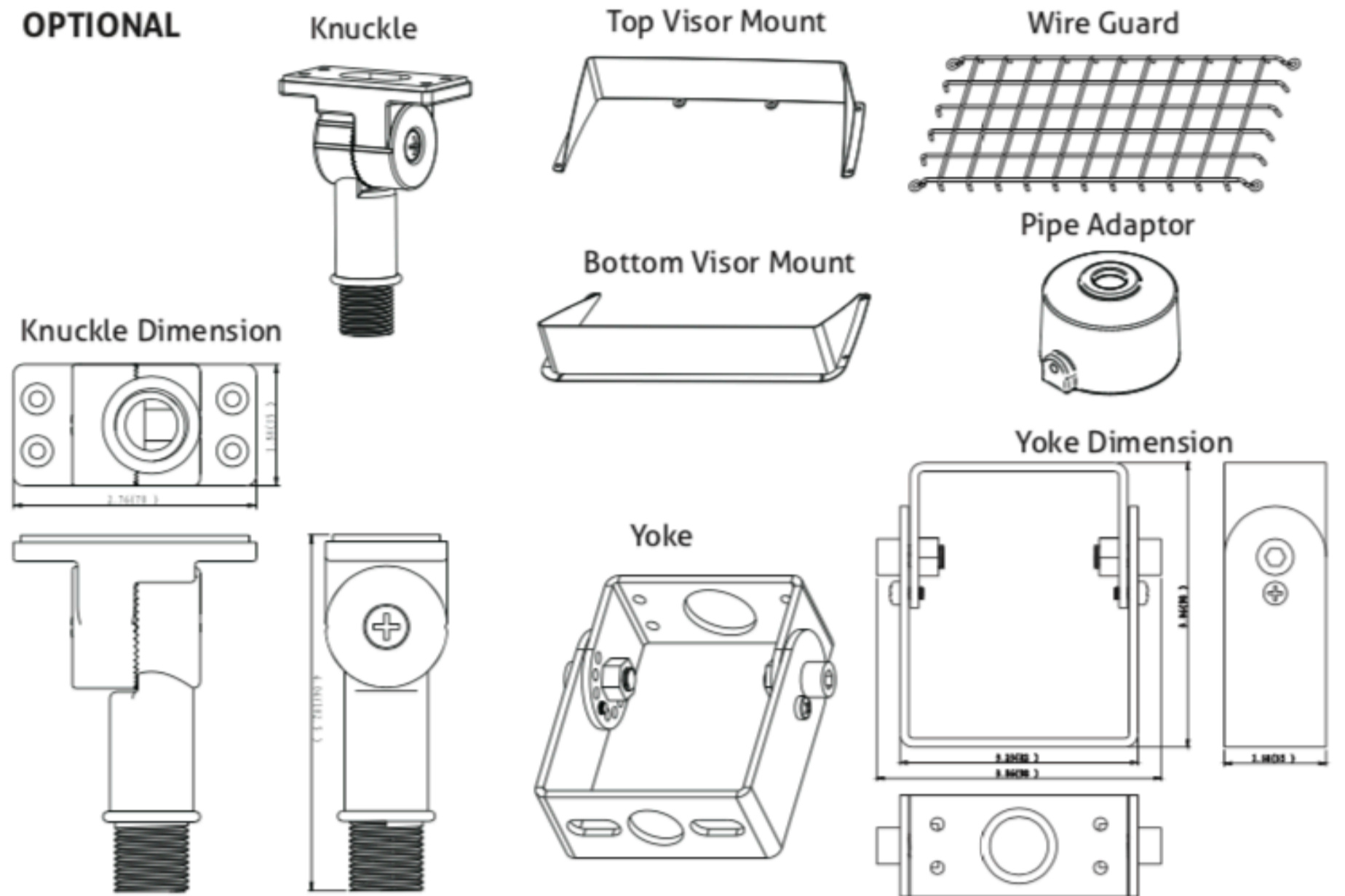
Compact LED flood with a variety of NEMA distribution for lighting applications such as building façades, signighting and wall washing in both commercial and industrial applications.

DIMENSIONS

(inch/mm)



OPTIONAL



ORDERING INFORMATION - STOCK VERSION

Product Code	Mount	Watt	NEMA Tpye	BEAM Pattern	Voltage	CCT	Lumen @4000K	LPW	Weight	Packing Size	Finish
CFL2M (Medium Size)	1/2" thread	50W	7H6V	Wide	120-277V	5000K	6621.1	134.10	4.7 Kg	Master carton(1pcs) 325*322*130	Bronze (RAL8019)
		70W	7H6V	Wide			9101.6	125.80	5.1 Kg		

ORDERING INFORMATION - MADE TO ORDER

Product Series	Watt	CCT	Voltage	Mount	Distribution	Control Option	Finish
CFL2M	050 = 50W(1250mA)	40K = 4000K	UL = 120-277V	KN = Knuckle	7 = 7H6V	B = Button Photocell	BZ = Bronze
CFL2 Family Medium Size	070 = 70W(1850mA)	50K = 5000K	UH = 347-480V	YK = Yoke	5 = 5H5V	D = 1-10V Dimming	WH = White
				PA = Pipe Adaptor	3 = 3H3V	S = SPD 10KV	NA = Natural Aluminum
							BK = Black
							CC = Custom Color

NEMA Distribution

