

LED Post Top Area Light



CL01A Series



Watt: 60/80/100/120
 Voltage: 120-277V/347V/480V
 Efficacy: 115-120 LPW



Optional



Photocell

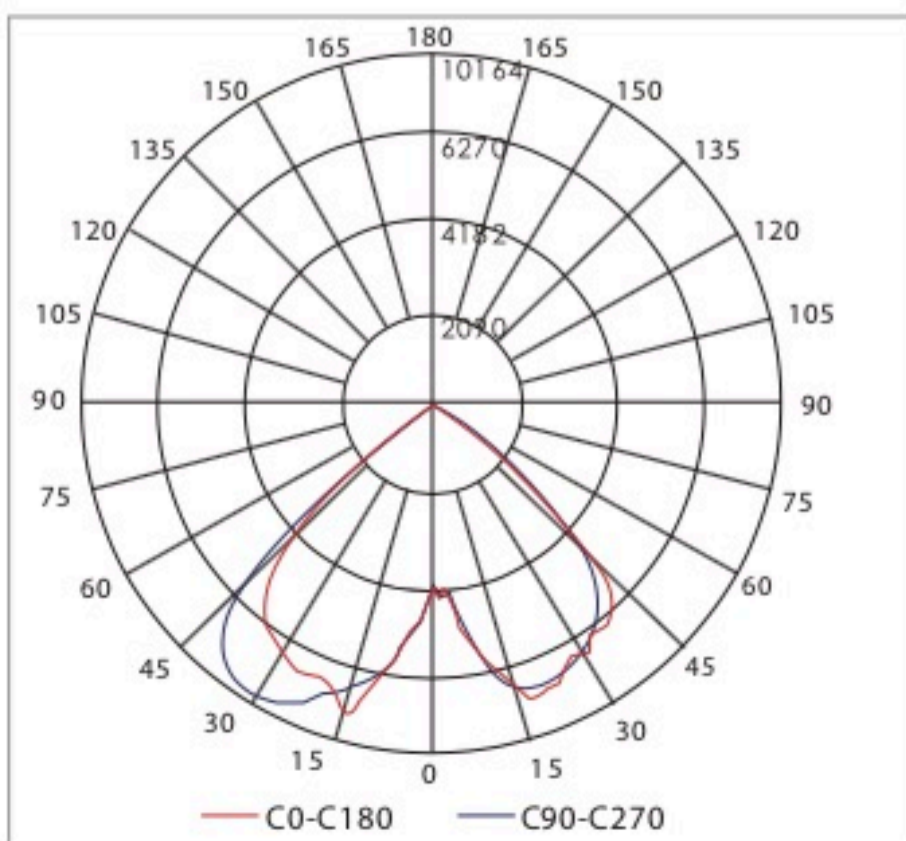


10KV SPD

APPLICATIONS

Ideal for general site lighting, alleys, loading docks, doorways, pathway, packing area.

PHOTOMETRIC BEAM ANGLE(H-V) (105° - 105°)



Code	Watt	Lumen @4K	Efficacy
CKL-CL01A-60	60W	7210.2 lm	118.2 LPW
CKL-CL01A-80	80W	9536.6 lm	116.3 LPW
CKL-CL01A-100	100W	12,219.6 lm	119.8 LPW
CKL-CL01A-120	120W	14,255.7 lm	115.9 LPW



CL01A Series Area Light
LED Post Top Area Light

Cat.#

Fixture Code:

Project:

Approvals:

PRODUCT IMAGE(S)



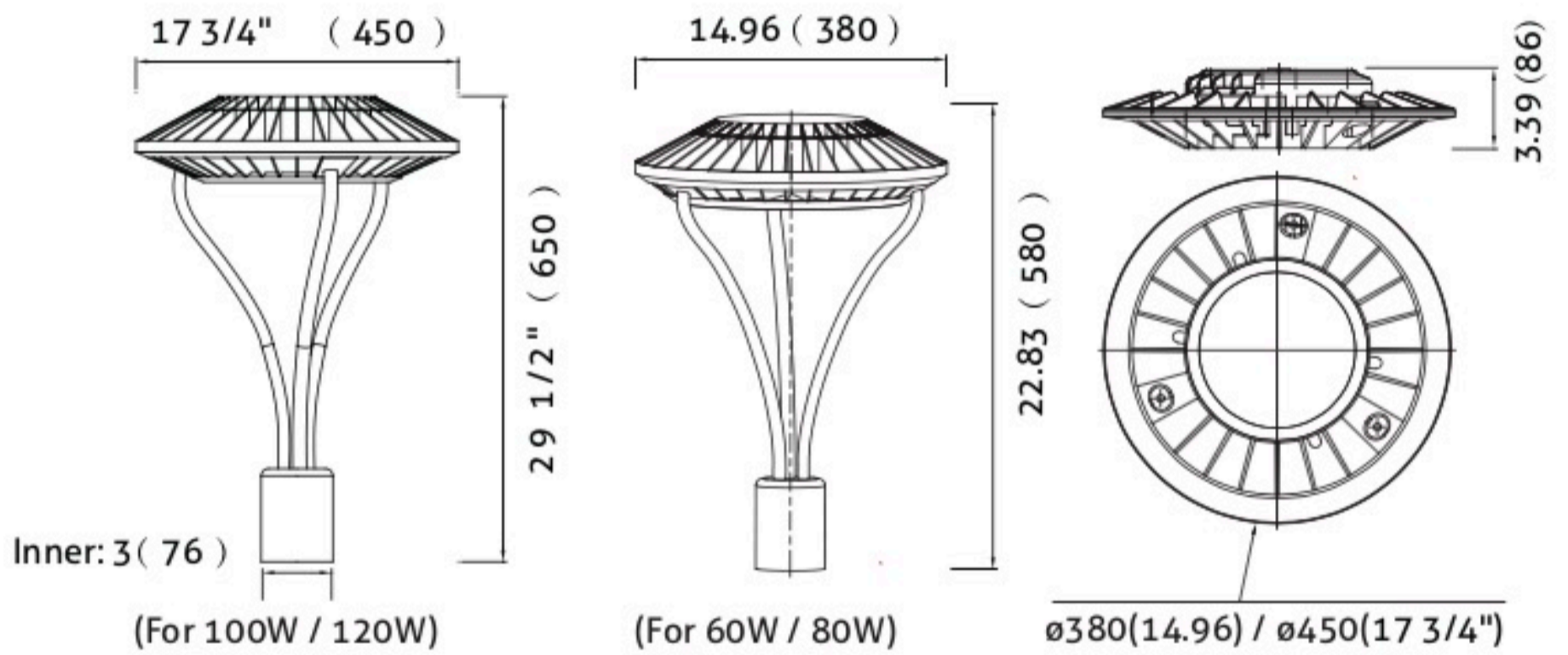
SPECIFICATIONS

- 01. Good lighting solution for large outdoor areas such as parking lots, corporate parks, and retail settings..
- 02. Type V optics produce a round distribution which is perfect for parking lots and pathways.
- 03. Design to fit on standard 2 3/8" tenons, making it easy and cost effective to upgrade to LED.
- 04. Frost lens to protect eyes, creating softy lighting, no glare.
- 05. The 60W is best with 10' poles and the 80W is best suited for 15' poles, which equal to 175W and 250W HID Lamp.
- 08. Temperature Rated at -40 C to +40 C .
- 09. ETL and Premium DLC listed.
- 10. The 0-10V Dimming type is continuous, the products can dim to 10%.
- 11. Motion Sensor and SPD are available as optional.
- 12. 120-277V, 347V, 480V

APPLICATIONS

Ideal for general site lighting, alleys, loading docks, doorways, pathway, packing area.

DIMENSIONS (inch/mm)



OPTIONAL



Photocell



10KV SPD

ORDERING INFORMATION

Product Code	Mount	Watt	Didtribution Type	Voltage	CCT	Lumen @4000K	LPW	Weight	Packing Size	Finish
CKL-CL01A	Pole Mounted	60W	T5 Wide	120-277V 347V 480V	4000K 5000K	7,210.2	118.2	5.6 Kg	435*435*190mm	Black(RAL#9004) White(RAL#9010) Custom Color
		80W	T5 Wide			9,536.6	116.3	5.8 Kg		
		100W	T5 Wide			12,219.6	119.8	7.3 Kg	500*500*190mm	
		120W	T5 Wide			14,255.7	115.9	7.5 Kg		

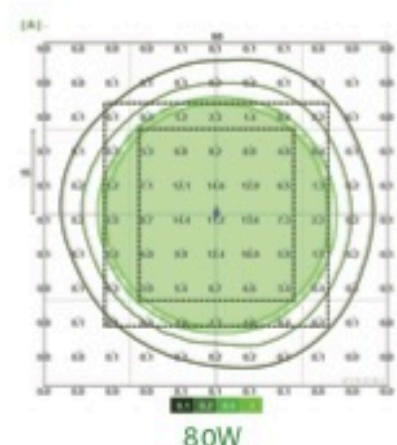
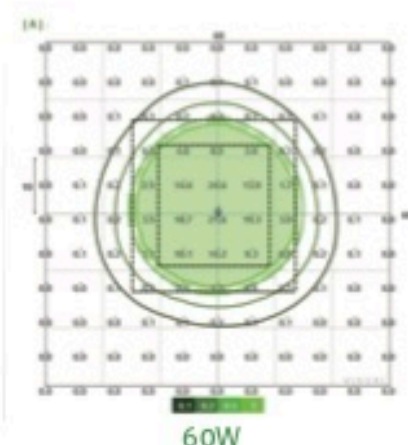
Note: 120V-277V DLC Premium for all items.

ORDERING INFORMATION - MADE TO ORDER

CL01A	-	-	-	-	-	-	-	-	-	
Product Series	Watt	CCT	Voltage	Mount	Distribution	Control Option	Finish			
CKL-CL01A	60 = 60W	40K = 4000K	UL = 120-277V	PM = Pole Mounted	5W = T5 Wide	PS = Photocell	WH = White			
CL01A Family	80 = 80W	50K = 5000K	UH1 = 347V			D = 1-10V Dimming	BK = black			
	100 = 100W		UH2 = 480V			S = SPD 10KV	CC = Custom Color			
	120 = 120W									

Distribution

- LEGEND
- 0.1 fc
 - 0.5 fc
 - 1.0 fc
 - 5.0 fc
 - 10.0 fc



Isofootcandle plots = CL01A Models in 5000K CCT @ 10' 60W; 15' 80W mounting height. Distances are in units of mounting height.