 CLHB1 Series Linear Light LED Linear Highbay	Cat.#	Fixture Code:
	Project:	Approvals:

PRODUCT IMAGE(S)



SPECIFICATIONS

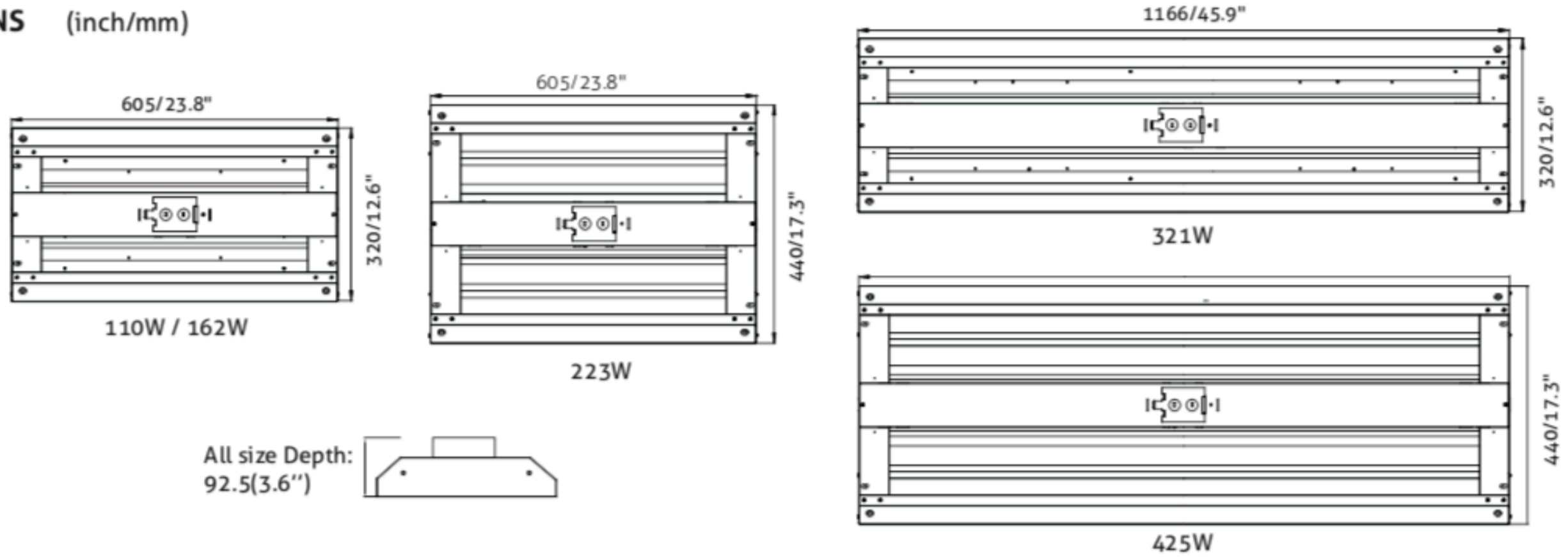
01. Good lighting solution for a wide variety of applications and mounting heights.
02. Precision-designed optics, multiple distributions, wide variety of lumen outputs and color temperatures.
03. Stainless screws ensure anti-rust.
04. Frost lens to protect eyes, creating softy lighting, no glare.
05. UL 1598 suitable for damp locations.
06. UL 8750 LED equipment in Lighting Products.
07. Surface Mounted bracket as standard, one person can finish installation, save labor cost.
08. Temperature Rated at(-20°C to +50°C) (-4°F to 122°F).
09. UL and Premium DLC listed.
10. The 0-10V Dimming type is continuous, the products can dim to 10%.
11. Motion Sensor and SPD are available as optional.
12. 120-277V, 347V, 480V



APPLICATIONS

Low bay and high bay fixtures, Ideal for retail, grocery, gymnasium, light industrial, warehouse and manufacturing.

DIMENSIONS (inch/mm)



ORDERING INFORMATION

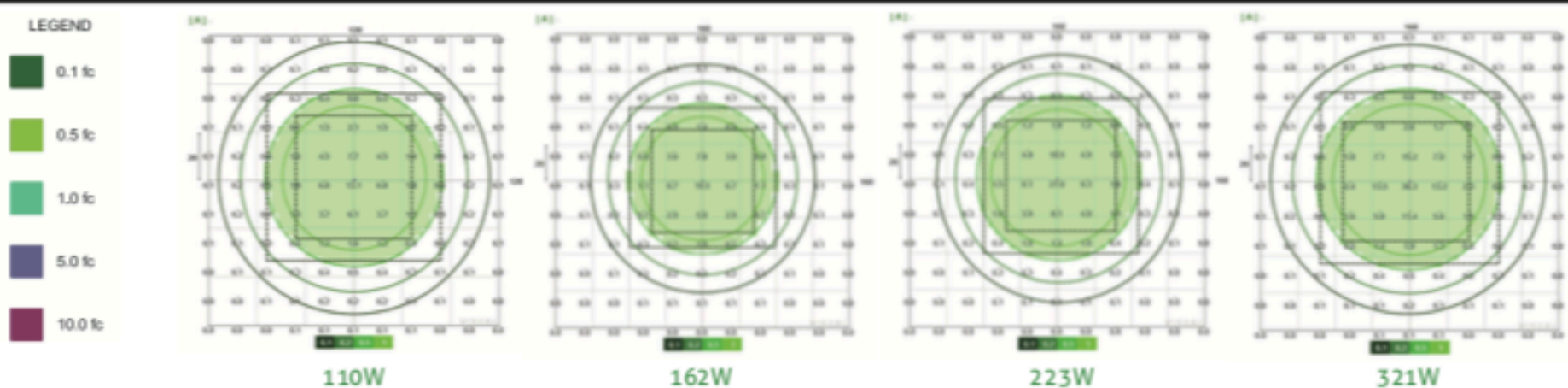
Product Code	Mount	Watt	Distribution Type	Voltage	CCT	Lumen @4000K	LPW	Weight	Packing Size	Finish
CLHB1	V-Hook + Chain	110W	T5 Wide	120-277V 347V 480V	4000K 5000K	13,938.7	128.97	5.3 Kg	630*329*98mm	White(RAL#9010)
		162W	T5 Wide			20214.9	127.38	5.7 Kg		
		223W	T5 Wide			28098.9	129.82	6.7 Kg	630*449*98mm	
		321W	T5 Wide			40762.2	127.91	9.2 Kg	1195*329*98mm	
		425W	T5 Wide			54935.8	129.21	10.9 Kg	1195*449*98mm	

Note: 120V-277V DLC Premium for all items.

ORDERING INFORMATION - MADE TO ORDER

CLHB1	—	—	—	—	—	—	—	—	—	
Product Series	Watt	CCT	Voltage	Mount	Distribution	Control Option	Finish			
CLHB1	110 = 110W	40K = 4000K	UL = 120-277V	VC = V-Hook+Chain	5W = T5 Wide	MS = Motion Sensor	WH = White			
CLHB1 Family	162 = 162W	50K = 5000K	UH1 = 347V	PM = Pendant Mounting		D = 1-10V Dimming				
	223 = 223W		UH2 = 480V	SM = Surface Mounting		S = SPD 10KV				
	321 = 321W			WG = Wire Guard						
	425 = 425W									

Distribution



Isofootcandle plots = CLHB1 Models in 5000K CCT @ 20' (6.096 m) mounting height. Distances are in units of mounting height.