 WP01/02 Series WallPack LED Wallpack Lighting	Cat.#	Fixture Code:
	Project:	Approvals:

PRODUCT IMAGE(S)



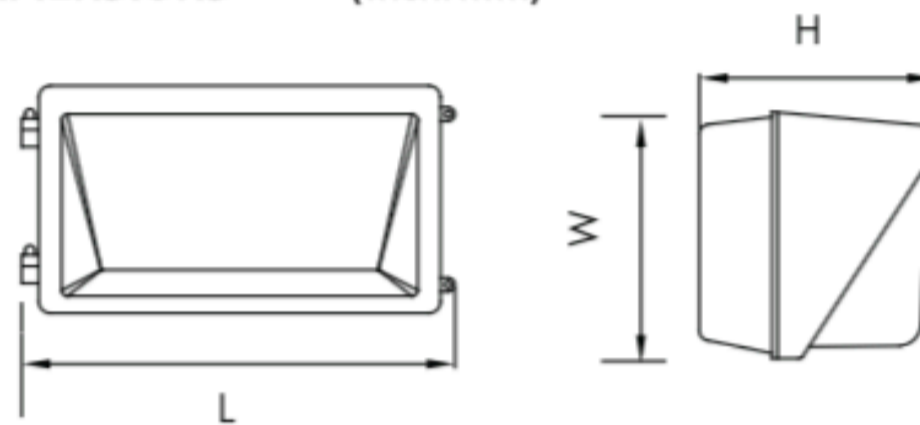
SPECIFICATIONS

01. Corrosion resistant, rugged die-cast aluminum housing with powder coat paint finish.
02. The front view tempered glass lens is 95% efficient minimizing light loss.
03. IP65 grade suitable for outdoor application.
04. All screws are stainless to make sure no rusty.
05. Direct replacement for 100 watt – 250 Watt traditional style HID wallpacks
07. Lens with rubber inside to make sure IP65. Easy to open fixture, quick access to electric.
08. Wall mounted as standard, one person can finish installation, save labor cost.
09. IP67 driver and ROHS compliant, ambient operating temperature -40°C to 40°C.
10. ETL and DLC listed.
11. Button-on photocell and SPD are available as optional.
12. 120-277V/347V/480V

APPLICATIONS

Outdoor wall mount light typically found on office buildings, government buildings, hospitals, college campuses, hotels, stores, and some residential settings.

DIMENSIONS (inch/mm)



Model	WPO1A	WPO2A
L	14.2(360)	18.4(468)
W	9.1(232)	9.1(232)
H	7.7(195)	9.4(240)



Option



10KV SPD

Button-On Photocell

ORDERING INFORMATION

Product Code	Mount	Watt	Didtribution Tpye	Voltage	CCT	Lumen	LPW	Weight	Packing Size	Finish
WP01A	Wall Mounted	40W	Type 4	120-277V 347-480V	4000K 5000K	4641.06	107.63	4.1 Kg	Master carton(1pcs) 390*270*240cm	Bronze (RAL8019)
		60W	Type 4			6512.79	105.73	4.4 Kg		
		80W	Type 4			8148.49	106.06	4.5 Kg		
WP02A		120W	Type 4			13614.4	114.41	7.1 Kg	Master carton(1pcs) 490*280*290cm	

Note: 347V and 480V are available for all watt.

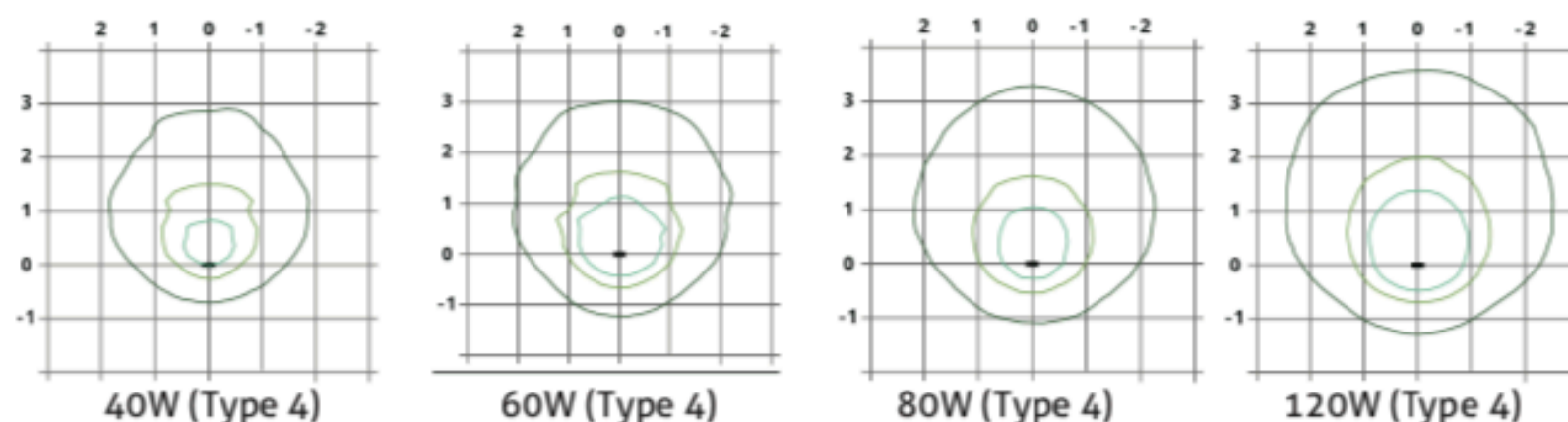
ORDERING INFORMATION - MADE TO ORDER

WP01A	—	—	—	—	—	—	—	—	—
Product Series	Watt	CCT	Voltage	Mount	Distribution	Control Option	Finish		
WP01A	40 = 40W 60 = 60W 80 = 80W	40K = 4000K 50K = 5000K	UL = 120-277V UH = 347-480V	WM = Wall Mounted	T4 = Type 4	BP = Button Photocell D = 1-10V Dimming S = SPD 10KV	BZ = Bronze CC = Custom Color		
WP02A	120 = 120W								

Distribution

LEGEND

0.1 fc
0.5 fc
1.0 fc
5.0 fc



Isofootcandle plots = ALL Models in 5000K CCT @ 10' (3.048 m) mounting height. Distances are in units of mounting height.